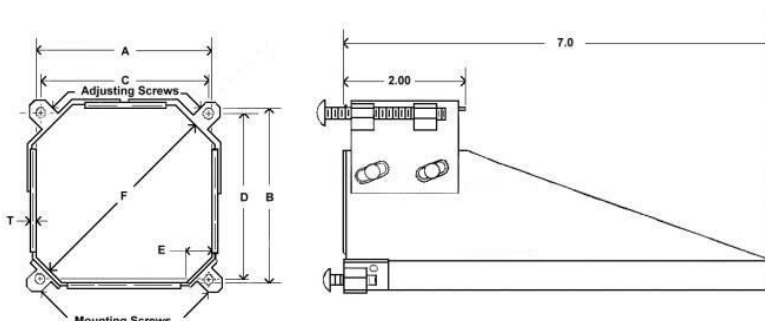


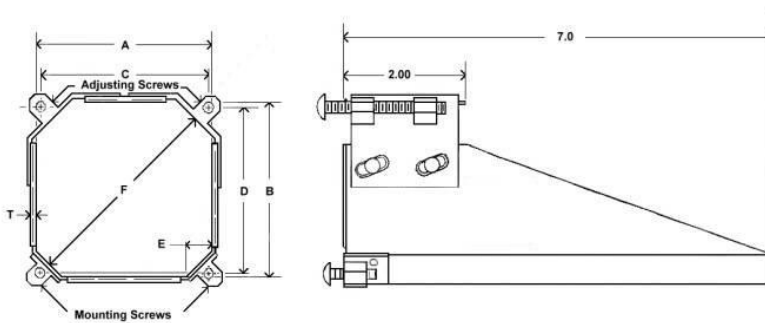
Avionics Mounting Devices

ARINC 408A Shelf Type Clamps, 7" deep.



AMI P/N	Equivalent Part Numbers	ARINC# 408 SPEC	A ±.010	B ±.010	C ±.005	D ±.005	E ±.010	F REF.	MOUNTING SCREWS	ADJUSTING SCREW	Notes
3ATI											
3671000-1	64409B-101	3ATI-S	3.175	3.175	3.060	3.060	.428	3.885	MS24693BB30 & 52	MS35214-35 & -50	Note 1
3671000-3	64409B-103, 5340-01-329-1034, N1004685-10, 7000066-3	3ATI-S	3.175	3.175	3.060	3.060	0.428	3.885	MS35214-29 & -44	MS35214-35 & -50	Note 1
3671000-5	64409B-105	3ATI-S	3.175	3.175	3.060	3.060	0.428	3.885	MS35214-44	MS35214-50	Note 1
3671000-7	64409B-107	3ATI-S	3.175	3.175	3.060	3.060	0.428	3.885	MS24693BB62	MS24693BB52	Note 1
3671000-9	64409B-109	3ATI-S	3.175	3.175	3.060	3.060	0.428	3.885	MS35214-44 & MS24693BB62	MS35214-50 & MS24693BB52	Note 1
3671005-3		3ATI-S	3.175	3.175	3.060	3.060	0.428	3.885	MS35214-29	MS35214-35	Note 1
3672000-1	64621B-101	3ATI-S	3.175	3.175	3.060	3.060	0.428	3.885	MS24693BB52	MS35214-50	Note 3
3672000-3	64621B-103	3ATI-S	3.175	3.175	3.060	3.060	0.428	3.885	MS35214-44	MS35214-50	Note 3
3672000-5	64621B-105, 5340-01-467-1942	3ATI-S	3.175	3.175	3.060	3.060	0.428	3.885	MS35214-44	MS35214-50	Note 3
3673000-5	88TV0100-2A	3ATI-S	3.175	3.175	3.060	3.060	0.428	3.885	MS35214-44	MS35214-50	Note 4

Notes:
 1: Anodized per MIL-A-8625, Type 2, Class 1, Clear.
 2: Anodized per MIL-A-8625, Type 1, Class 1, Clear.
 3: Chem-filmed per MIL-DTL-5541, Type 1, Class 1A, Yellow.
 4: Chem Film per MIL-DTL-5541, Type 2, Class 3, Clear
 5 Closing brackets are self-locking
 Recommended mounting and adjusting screw torque is 8-12 in. lb.
 All clamps are designed to meet the requirements of MIL-C-6818 and/or customer requirements.
 Band and closing bracket materials are 6061-T6 per QQ-A-200/8, or AQMS-QQ-A-250/11.
 Rivet materials are 2017 per QQ-A-225/5

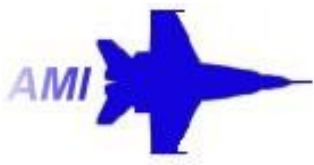


4ATI											
AMI P/N	Equivalent Part Numbers	ARINC# 408 SPEC	A ±.010	B ±.010	C ±.005	D ±.005	E ±.010	F REF.	MOUNTING SCREWS	ADJUSTING SCREW	Notes
3771000-1	64391B-101	4ATI-S	3.975	3.975	3.860	3.860	0.428	5.015	MS24693BB30 & 52	MS35214-29 & -50	Note 1
3771000-3	64391B-103, 5340-01-329-5677, NH1004527-10, 7000066-1	4ATI-S	3.975	3.975	3.860	3.860	0.428	5.015	MS35214-29 & -44	MS35214-35 & -50	Note 1
3771000-5	64391B-105	4ATI-S	3.975	3.975	3.860	3.860	0.428	5.015	MS35214-44	MS35214-50	Note 1
3771000-7	64391B-107	4ATI-S	3.975	3.975	3.860	3.860	0.428	5.015	MS24693BB52	MS24693BB62	Note 1
3772000-3		4ATI-S	3.975	3.975	3.860	3.860	0.428	5.015	MS35214-29 & -44	MS35214-35 & -50	Note 3

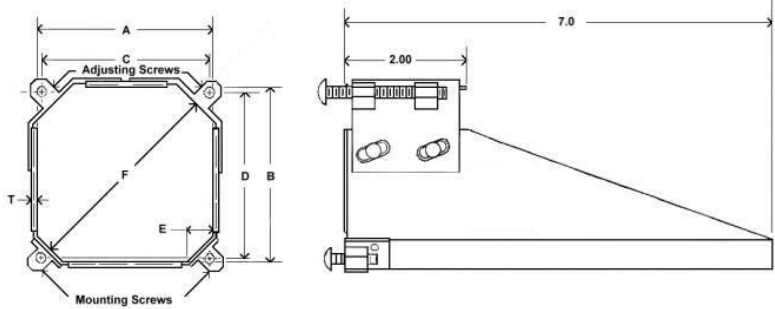
Notes:
 1: Anodized per MIL-A-8625, Type 2, Class 1, Clear.
 2: Anodized per MIL-A-8625, Type 1, Class 1, Clear.
 3: Chem-filmed per MIL-DTL-5541, Type 1, Class 1A, Yellow.
 4: Chem Film per MIL-DTL-5541, Type 2, Class 3, Clear
 Recommended mounting and adjusting screw torque is 8-12 in. lb.
 All clamps are designed to meet the requirements of MIL-C-6818 and/or customer requirements.
 Band and closing bracket materials are 6061-T6 per QQ-A-200/8, or AQMS-QQ-A-250/11.
 Rivet materials are 2017 per QQ-A-225/5

5ATI											
AMI P/N	Equivalent Part Numbers	ARINC# 408 SPEC	A ±.010	B ±.010	C ±.005	D ±.005	E ±.010	F REF.	MOUNTING SCREWS	ADJUSTING SCREW	Notes
3871000-1	64405B-101	5ATI-S	4.975	4.975	4.810	4.810	.476	6.360	MS24693BB52	MS35214-50	Note 1
3871000-3	64405B-103, 5340-01-328-1219, NH1004684-10, 7000066-2	5ATI-S	4.975	4.975	4.810	4.810	.476	6.360	MS35214-44	MS35214-50	Note 1
3872000-1		5ATI-S	4.975	4.975	4.810	4.810	.476	6.360	MS24693BB52	MS35214-50	Note 2
3872000-3		5ATI-S	4.975	4.975	4.810	4.810	.476	6.360	MS35214-44	MS35214-50	Note 2

Notes:
 1: Anodized per MIL-A-8625, Type 2, Class 1, Clear.
 2: Anodized per MIL-A-8625, Type 1, Class 1, Clear.
 3: Chem-filmed per MIL-DTL-5541, Type 1, Class 1A, Yellow.
 4: Chem Film per MIL-DTL-5541, Type 2, Class 3, Clear
 Recommended mounting and adjusting screw torque is 8-12 in. lb.
 All clamps are designed to meet the requirements of MIL-C-6818 and/or customer requirements.
 Band and closing bracket materials are 6061-T6 per QQ-A-200/8, or AQMS-QQ-A-250/11.
 Rivet materials are 2017 per QQ-A-225/5



Avionics Mounting Devices



MIXED ATI SIZES											
AMI P/N	Equivalent Part Numbers	ARINC# 408 SPEC	A	B	C	D	E	F	MOUNTING SCREWS	ADJUSTING SCREW	Notes
			±.010	±.010	±.005	±.005	±.010	REF.			
3971000-1	64438B-101	5X4ATI-R	4.975	3.975	4.810	3.810	.476	5.655	MS24693BB52	MS35214-50	Note 1
3971000-3	64438B-103, 5340-01-329-5679, NH1006343-10, 7000066-4	5X4ATI-R	4.975	3.975	4.810	3.810	.476	5.655	MS35214-44	MS35214-50	Note 1
3971020-1	64440B-101, 5340-01-424-8322	6X5ATI-R	5.975	4.975	5.810	4.810	.512	7.019	MS24693BB274	MS35215-63	Note 1
3971020-3	64440B-103, 5340-01-329-5676, NH1006345-10, NSA934901-14, 7000066-6	6X5ATI-R	5.975	4.975	5.810	4.810	.512	7.019	MS35215-57	MS35215-63	Note 1
3972020-3	7000066-12	6X5ATI-R	5.975	4.975	5.810	4.810	.512	7.019	MS35215-57	MS35215-63	Note 3
3971015-1	64483B-101	4.975 x 4.600-R	4.975	4.600	4.810	4.435	.476	6.096	MS24693BB52	MS35214-50	Note 1
3971015-3	64483B-103, NH1006344-10, 7000066-5	4.975 x 4.600-R	4.975	4.600	4.810	4.435	.476	6.096	MS35214-44	MS35214-50	Note 1
3971010-1	64489B-101	6X2ATI-R	5.975	2.175	5.810	2.012	.512	5.089	MS24693BB52	MS35214-50	Note 1
3971010-3	64489B-103, NH1006346-10, NSA934901-15, 7000066-7	6X2ATI-R	5.975	2.175	5.810	2.012	.512	5.089	MS35214-44	MS35214-50	Note 1
3971005-1	64557B-101	4 x 5 ATI-R	4.025	5.005	3.810	4.810	.476	5.697	MS24693B52	MS35214-50	Note 1
3971005-3	64557B-103, 7000066-11	4 x 5 ATI-R	4.025	5.005	3.810	4.810	.476	5.697	MS35214-44	MS35214-50	Note 1

Notes:
1: Anodized per MIL-A-8625, Type 2, Class 1, Clear.
2: Anodized per MIL-A-8625, Type 1, Class 1, Clear.
3: Chem-filmed per MIL-DTL-5541, Type 1, Class 1A, Yellow.
4: Chem Film per MIL-DTL-5541, Type 2, Class 3, Clear
Recommended mounting and adjusting screw torque is 8-12 in. lb.
All clamps are designed to meet the requirements of MIL-C-6818 and/or customer requirements.
Band and closing bracket materials are 6061-T6 per QQ-A-200/8, or AQMS-QQ-A-250/11.
Rivet materials are 2017 per QQ-A-225/5