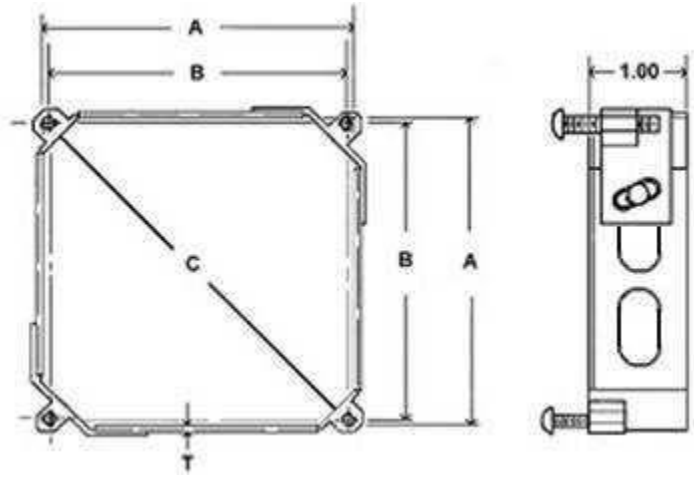


Avionics Mounting Devices

ARINC 408A Square Clamps 1" Deep.



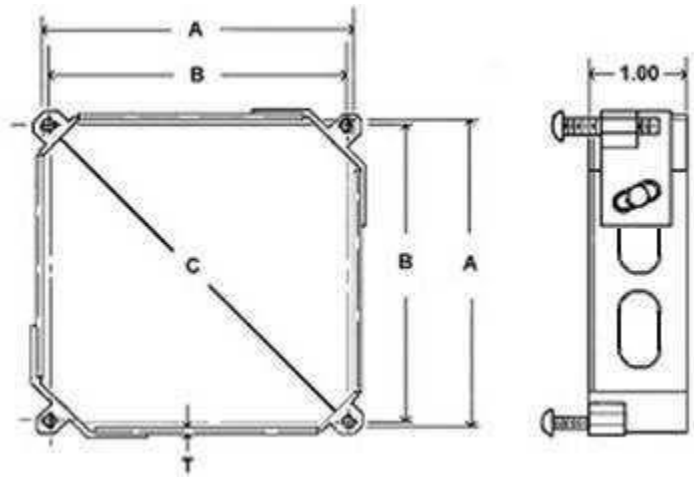
2 ATI CLAMPS

AMI Part number	Equivalent Part number	ARINC# 408 SPEC	A	B	C	T	MOUNTING SCREW	ADJUSTING SCREW	NOTES
			2 PL.	±.005	2 PL.	±.003			
3511000	9962B, 5340-01-102-1998, 54620, NH1002336-10, 34753	2ATI-S	2.175	2.080	2.500	0.045	MS35214-29	MS35214-46	Note 1
3511001	NSA934901-04	2ATI-S	2.175	2.080	2.500	0.045	MS35214-31	MS35214-50	Note 2
3512000	64665B	2ATI-S	2.175	2.080	2.500	0.045	MS35214-29	MS35214-46	Note 3

3 ATI CLAMPS

3611000	9963B, 5340-01-053-7184, 5340-00- 838-1478, NAS934901-03, 34753, 54621, 4000836-3, 5340-01- 564-3747, NH1002543-10, 6499-057, 150-5600-002, 2513-708-98233, 18289	3ATI-S	3.175	3.060	3.885	0.045	MS35214-29	MS35214-46	Note 1
-------------------------	---	--------	-------	-------	-------	-------	------------	------------	--------

Notes:
 1: Anodized per MIL-A-8625, Type 2, Class 1, Clear.
 2: Anodized per MIL-A-8625, Type 1, Class 1, Clear.
 3: Chem-filmed per MIL-DTL-5541, Type 1, Class 1A, Yellow.
 4: Chem Film per MIL-DTL-5541, Type 2, Class 3, Clear
 5 Closing brackets are self-locking
 Recommended mounting and adjusting screw torque is 5-8 in. lb.
 All clamps are designed to meet the requirements of MIL-C-6818 and/or customer requirements.
 Band and closing bracket materials are 6061-T6 per QQ-A-200/8, or AQMS-QQ-A-250/11.
 Rivet materials are 2017 per QQ-A-225/5



AMI Part number	Equivalent Part number	ARINC# 408 SPEC	A	B	C	T	MOUNTING SCREW	ADJUSTING SCREW	NOTES
			2 PL.	±.005	2 PL.	±.003			
3611000-LJ	9963LJ, 5340-01-525-8983	3ATI-S SPL.	3.175	3.060	3.885	0.045	MS35214-44	MS35214-46	Note 1
3611005	NAS934901-03	3ATI-S	3.175	3.060	3.885	0.045	MS35214-29	MS35214-46	Note 2
3611010		3ATI-S SPL.	3.175	3.060	3.885	0.045	MS35214-29	MS35214-31	Note 1
3612000	64397B	3ATI-S	3.175	3.060	3.885	0.045	MS35214-29	MS35214-46	Note 3

4 ATI CLAMPS

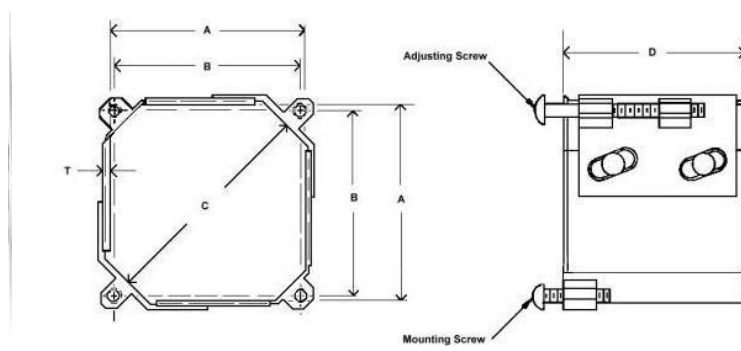
3711000-1	9964B, 54622, 139-3157-010, 5340-01-031-0722, 4000836-2,	4ATI-S	3.975	3.860	5.015	0.040	MS25214-29	MS35214-46	Note 1
3711000-2	NAS934901-02	4ATI-S	3.975	3.860	5.015	0.040	MS25214-29	MS35214-46	Note 2
3711000-LJ	9964LJ, 5340-01-518-3412	4ATI-S SPL	3.975	3.860	5.015	0.040	MS35214-44	MS35214-46	Note 1

5 ATI CLAMPS

3811000	9965B, 54623	5ATI-S	4.975	4.810	6.360	0.050	MS35214-44	MS35214-46	Note 1
3812000	64677B	5ATI-S	4.975	4.810	6.360	0.050	MS35214-44	MS35214-46	Note 2

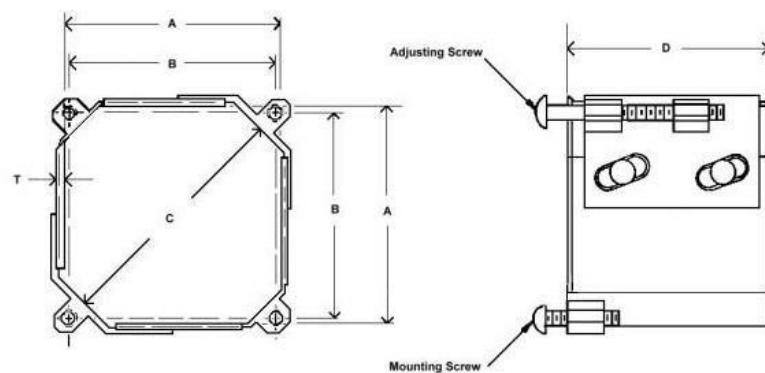
Notes:
 1: Anodized per MIL-A-8625, Type 2, Class 1, Clear.
 2: Anodized per MIL-A-8625, Type 1, Class 1, Clear.
 3: Chem-filmed per MIL-DTL-5541, Type 1, Class 1A, Yellow.
 4: Chem Film per MIL-DTL-5541, Type 2, Class 3, Clear
 5 Closing brackets are self-locking
 Recommended mounting and adjusting screw torque is 5-8 in. lb.
 All clamps are designed to meet the requirements of MIL-C-6818 and/or customer requirements.
 Band and closing bracket materials are 6061-T6 per QQ-A-200/8, or AQMS-QQ-A-250/11.
 Rivet materials are 2017 per QQ-A-225/5 Threads in mounting lugs are self-locking.

ARINC 408A Square Clamps, 2" Deep.



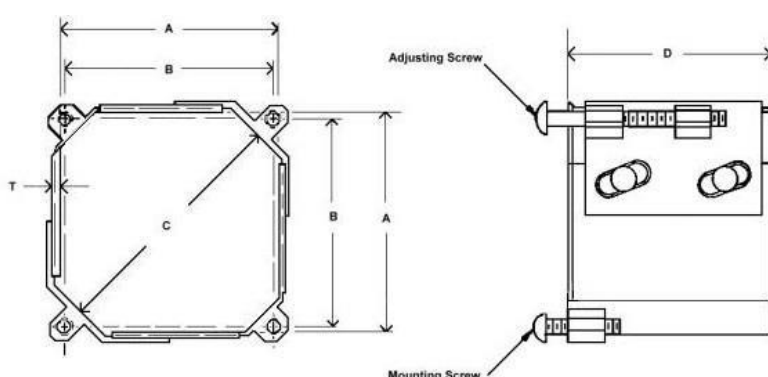
2ATI										
AMI P/N	Equivalent P/N	ATI SIZE SPEC	A	B	C	D	T	MOUNTING SCREW	ADJUSTING SCREW	NOTES
			±.010	±.005	±.015	±.03	±.003			
3521000	64416B, 5340-01-328-1210, 5340-01-247-3466, NSA934901-11, NH1004718-10, MBG68508	2ATI-S	2.175	2.080	2.500	2.00	0.045	MS35214-29	MS35214-50	Note 1
3521005	NAS934901-13	2ATI-S	2.175	2.080	2.500	2.00	0.045	MS35214-29	MS35214-50	Note 2
3521101	64465	2ATI-S	2.175	2.080	2.500	2.00	0.045	MS51957-32B	MS51957-53B	Notes 1 & 5
3522000	64617, 5340-01-482-8122	2ATI-S	2.175	2.080	2.500	2.00	0.045	MS35214-29	MS35214-50	Note 3

Notes:
 1: Anodized per MIL-A-8625, Type 2, Class 1, Clear.
 2: Anodized per MIL-A-8625, Type 1, Class 1, Clear.
 3: Chem-filmed per MIL-DTL-5541, Type 1, Class 1A, Yellow.
 4: Chem Film per MIL-DTL-5541, Type 2, Class 3, Clear
 5 Closing brackets are self-locking
 Recommended mounting and adjusting screw torque is 6-10 in. lb.
 All clamps are designed to meet the requirements of MIL-C-6818 and/or customer requirements. Band and closing bracket materials are 6061-T6 per QQ-A-200/8, or AQMS-QQ-A-250/11.
 Rivet materials are 2017 per QQ-A-225/5



3ATI 2 inch deep clamps										
AMI P/N	Equivalent P/N	ATI SIZE SPEC	A	B	C	D	T	MOUNTING SCREW	ADJUSTING SCREW	NOTES
			±.010	±.005	±.015	±.03	±.003			
3621000	64311B, 5340-01-242-3434, 670548, NSA934901-16, MGB61897, NH1000201-30, NH100519-30, NH1004994-30, 41038-0001, 123-3	3ATI-S	3.175	3.060	3.885	2.00	0.045	MS35214-29	MS35214-50	Note 1
3621001	NSA934901-16	3ATI-S	3.175	3.060	3.885	2.00	0.045	MS35214-29	MS35214-50	Note 2
3621005	54-20007	3ATI-S	3.175	3.060	3.885	2.00	0.045	MS35214-31	MS35214-50	Note 1
3621010	139-0969-020	3ATI-S	3.175	3.060	3.885	2.00	0.045	MS51957-32B	MS51957-53B	Note 4
3621101	88VT0100-1C	3ATI-S	3.175	3.060	3.885	2.00	0.045	MS35214-29	MS35214-50	Notes 1 & 5
3621105	64466, 61062	3ATI-S	3.175	3.060	3.885	2.00	0.045	MS51957-32B	MS51957-53B	Notes 1 & 5
3622005	64622B	3ATI-S	3.175	3.060	3.885	2.00	0.045	MS24693BB52	MS35215-63	Note 3
3622000	64640B, 01-482-8124	5340-3ATI-S	3.175	3.060	3.885	2.00	0.045	MS35214-29	MS35214-50	Note 3
3622010	64650B	3ATI-S	3.175	3.060	3.885	2.00	0.045	MS35216-29	MS35216-50	Note 1
3622100	88VT0100-1B	3ATI-S	3.175	3.060	3.885	2.00	0.045	MS35216-29	MS35216-50	Notes 3 & 5
3623100	88VT0100-1A	3ATI-S	3.175	3.060	3.885	2.00	0.045	MS35214-29	MS35214-50	Notes 4 & 5

Notes:
 1: Anodized per MIL-A-8625, Type 2, Class 1, Clear.
 2: Anodized per MIL-A-8625, Type 1, Class 1, Clear.
 3: Chem-filmed per MIL-DTL-5541, Type 1, Class 1A, Yellow.
 4: Chem Film per MIL-DTL-5541, Type 2, Class 3, Clear
 5 Closing brackets are self-locking
 Recommended mounting and adjusting screw torque is 6-10 in. lb.
 All clamps are designed to meet the requirements of MIL-C-6818 and/or customer requirements. Band and closing bracket materials are 6061-T6 per QQ-A-200/8, or AQMS-QQ-A-250/11.
 Rivet materials are 2017 per QQ-A-225/5

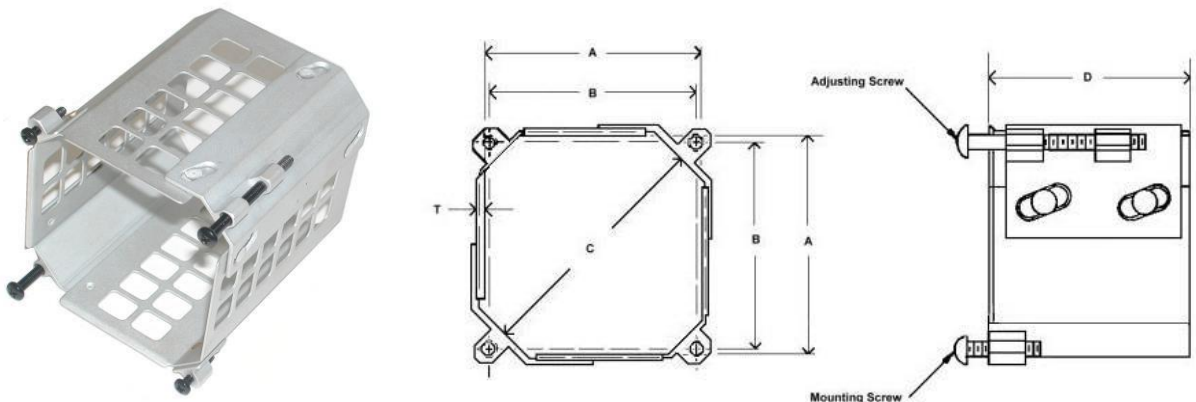


ARINC Square Clamps, 2" Deep.

4ATI										
AMI P/N	Equivalent P/N	ATI SIZE	A	B	C	D	T	MOUNTING SCREW	ADJUSTING SCREW	NOTES
		SPEC	±.010	±.005	±.015	±.03	±.003			
3721000	64359B	4ATI-S	3.975	3.860	5.015	2.00	0.040	MS35214-29	MS35214-50	Note 1
3722000		4ATI-S	3.975	3.860	5.015	2.00	0.040	MS35214-29	MS35214-50	Note 3
5ATI										
AMI P/N	Equivalent P/N	ATI SIZE	A	B	C	D	T	MOUNTING SCREW	ADJUSTING SCREW	NOTES
		SPEC	±.010	±.005	±.015	±.03	±.003			
3821000	64347B	5ATI-S	4.975	4.810	6.360	2.00	0.050	MS35214-44	MS35214-50	Note 1
3822000	64629B	5ATI-S	4.975	4.810	6.360	2.00	0.050	MS35214-44	MS35214-50	Note 3
3823000	64624B	5ATI-S	4.975	4.810	6.360	2.00	0.040	MS35214-44	MS35214-50	Note 4

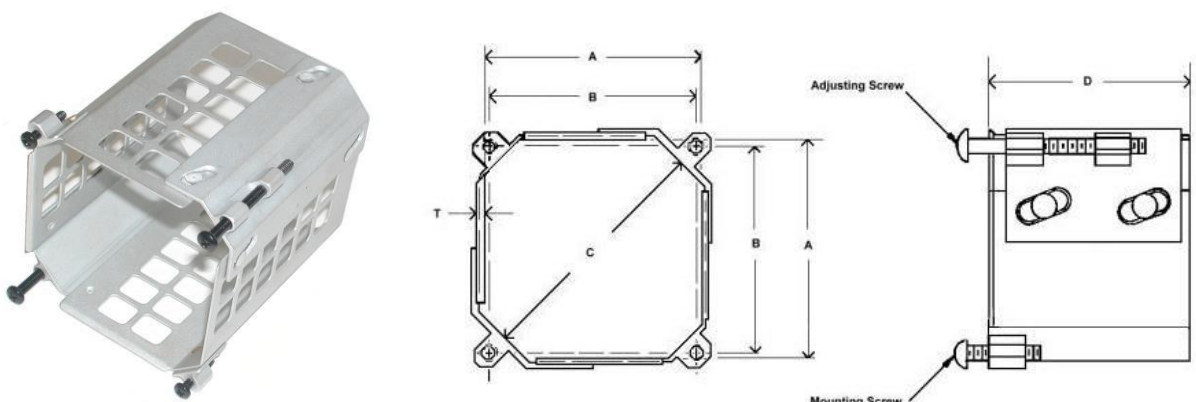
Notes:
 1: Anodized per MIL-A-8625, Type 2, Class 1, Clear.
 2: Anodized per MIL-A-8625, Type 1, Class 1, Clear.
 3: Chem-filmed per MIL-DTL-5541, Type 1, Class 1A, Yellow.
 4: Chem Film per MIL-DTL-5541, Type 2, Class 3, Clear
 5 Closing brackets are self-locking
 Recommended mounting and adjusting screw torque is 6-10 in. lb.
 All clamps are designed to meet the requirements of MIL-C-6818 and/or customer requirements. Band and closing bracket materials are 6061-T6 per QQ-A-200/8, or AQMS-QQ-A-250/11.
 Rivet materials are 2017 per QQ-A-225/5

ARINC Square Clamps 4" Deep



3ATI										
AMI P/N	Equivalent P/N	ATI SIZE SPEC	A	B	C	D	T	MOUNTING SCREW	ADJUSTING SCREW	NOTES
			±.010	±.005	±.015	±.03	±.003			
3641000-1	64435B-101	3ATI-S	3.175	3.060	3.885	4.00	0.040	MS24693BB30	MS35214-50	Note 1
3641000-3	64435B-103	3ATI-S	3.175	3.060	3.885	4.00	0.040	MS35214-29	MS35214-50	Note 1
3641000-5	64435B-105	3ATI-S	3.175	3.060	3.885	4.00	0.040	MS35214-44	MS35214-50	Note 1
3641000-7	64435B-107	3ATI-S	3.175	3.060	3.885	4.00	0.040	MS35214-32	MS51957-55B	Note 1
3642000-1	64662B-101	3ATI-S	3.175	3.060	3.885	4.00	0.040	MS24693BB30	MS35214-50	Note 3
3642000-3	64662B-103, 54-20007	3ATI-S	3.175	3.060	3.885	4.00	0.040	MS35214-29	MS35214-50	Note 3
3642000-5	64662B-105	3ATI-S	3.175	3.060	3.885	4.00	0.040	MS35214-44	MS35214-50	Note 3
3642000-7	64662B-107	3ATI-S	3.175	3.060	3.885	4.00	0.040	MS51957-32B	MS51957-55B	Note 3
3643000-3		3ATI-S	3.175	3.060	3.885	4.00	0.040	MS35214-29	MS35214-50	Note 4
3643000-8	139-0969-030	3ATI-S	3.175	3.060	3.885	4.00	0.040	MS24693BB32	MS51957-57B	Note 4
3643000-9	139-0969-040	3ATI-S	3.175	3.060	3.885	4.00	0.040	MS51957-32B36118	MS51957-57B36118	Note 4

Notes:
 1: Anodized per MIL-A-8625, Type 2, Class 1, Clear.
 2: Anodized per MIL-A-8625, Type 1, Class 1, Clear.
 3: Chem-filmed per MIL-DTL-5541, Type 1, Class 1A, Yellow.
 4: Chem Film per MIL-DTL-5541, Type 2, Class 3, Clear
 5 Closing brackets are self-locking
 Recommended mounting and adjusting screw torque is 8-12 in. lb.
 All clamps are designed to meet the requirements of MIL-C-6818 and/or customer requirements. Band and closing bracket materials are 6061-T6 per QQ-A-200/8, or AQMS-QQ-A-250/11.
 Rivet materials are 2017 per QQ-A-225/5



4ATI

AMI P/N	Equivalent P/N	ATI SIZE SPEC	A	B	C	D	T	MOUNTING SCREW	ADJUSTING SCREW	NOTES
			±.010	±.005	±.015	±.03	±.003			
3741000-1	64377B-101, 4730-01-505-1811	4ATIS	3.975	3.860	5.015	4.00	0.040	MS24693BB274	MS35215-63	Note 1
3741000-3	64377B-103	4ATIS	3.975	3.860	5.015	4.00	0.040	MS35215-57	MS35215-63	Note 1

Notes:

- 1: Anodized per MIL-A-8625, Type 2, Class 1, Clear.
 - 2: Anodized per MIL-A-8625, Type 1, Class 1, Clear.
 - 3: Chem-filmed per MIL-DTL-5541, Type 1, Class 1A, Yellow.
 - 4. Chem Film per MIL-DTL-5541, Type 2, Class 3, Clear
 - 5 Closing brackets are self-locking
- Recommended mounting and adjusting screw torque is 8-12 in. lb.
 All clamps are designed to meet the requirements of MIL-C-6818 and/or customer requirements. Band and closing bracket materials are 6061-T6 per QQ-A-200/8, or AQMS-QQ-A-250/11.
 Rivet materials are 2017 per QQ-A-225/5